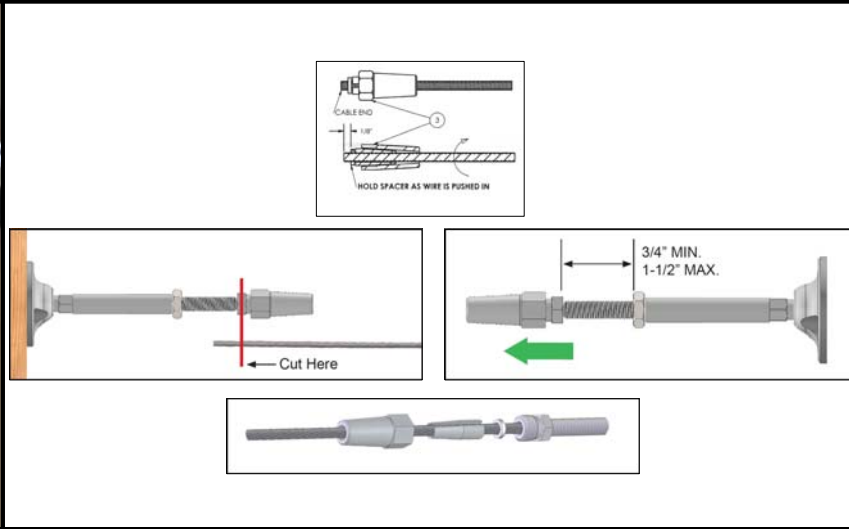
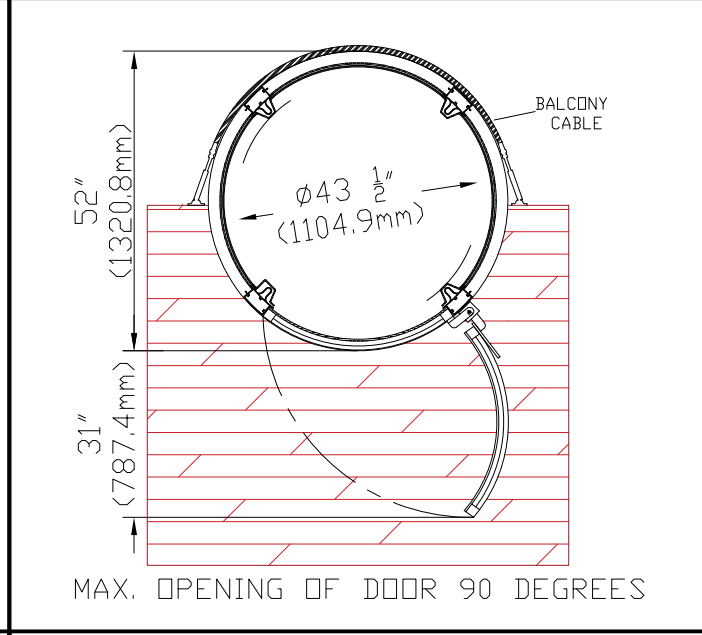
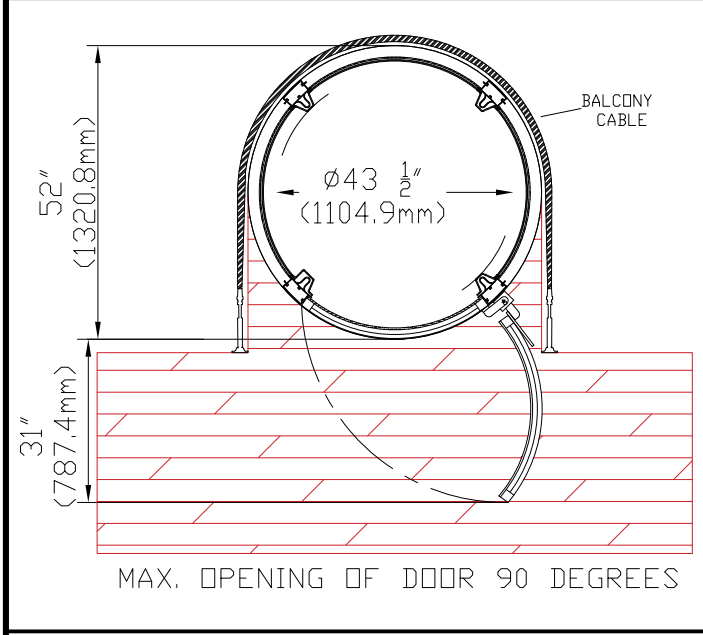
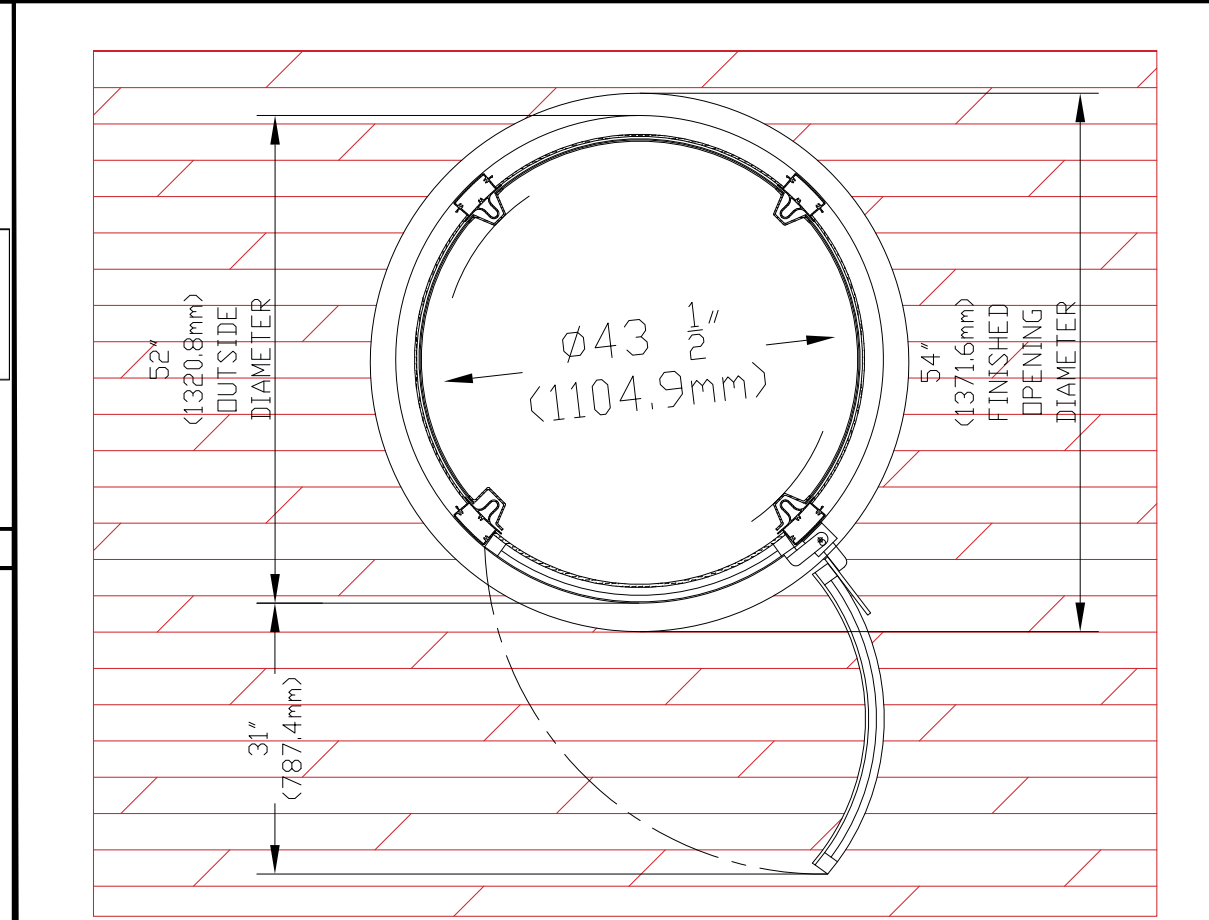


NOTES



EXAMPLE INSTALLATION

TYPICAL INSTALLED CABLE



BALCONY MOUNT SAMPLE 1

BALCONY MOUNT SAMPLE 2

MAX. OPENING OF DOOR 90 DEGREES

TYPICAL TROUGH FLOOR MOUNT SAMPLE

REVISION AND PRINT RECORD

REV. BY	DESCRIPTION	DATE	FOR
R.L	INITIAL LAYOUT	12/18/19	MARKET

TOLERANCES UNLESS OTHERWISE SPECIFIED

1" (1.00) 25.4 MM OR LESS $\pm 1/32$ (0.031) 0.793 MM

OVER 1" (1.00) 25.4 MM LESS THAN 12" (12.00) 304.80 MM $\pm 1/16$ " (0.0625) 1.59 MM

OVER 12" (12.00) 304.80 MM LESS THAN 60" (60.00) 1524 MM $\pm 1/8$ " (0.125) 3.18 MM

OVER 60" (60.00) 1524 MM TO 120" (120.00) 3048 MM $\pm 1/4$ " (0.250) 6.35 MM

PNEUMATIC VACUUM ELEVATORS LLC

12602 NW 115th AVE. MEDLEY, FL. 33187
(305) 884-1091 Fax (305) 884-1092

JOB NAME: BALCONY EXAMPLES

LOCATION: 12602 NW 115th AVE. MEDLEY, FL. 33187

SCALE: NTS

DRAWN BY: RYDER LLOYD FINALS: 12/18/2019

CHECKED BY: J.C. RELEASED BY:

CUSTOMER#: XX P.ORDER #: XX